

WARRANTY INFORMATION

During the applicable warranty period, any Total Protection Solutions™ surge protector device which fails due to a defect in materials, workmanship or any electrical anomaly including lightning, shall be repaired or replaced, at Joslyn's option without charge. In the event of a return the device must be shipped FOB Joslyn place of business within the applicable warranty period. The applicable warranty period for this Joslyn surge protection device is outlined below in the Warranty Period section. The warranty period for any repaired devices or replacement devices will be only the remaining portion of the original limited warranty.

A Return Material Authorization (RMA) number must be obtained from the Company's Customer Service department before returning any products.

The Company shall have no liability under this warranty for problems or defects directly or indirectly caused by misuse of the Product, alteration of the Product (including removal of any warning labels), accidents, improper installation, application, operation, or improper repair of the Product.

THIS WARRANTY REPRESENTS THE ENTIRE WARRANTY OF THE COMPANY. ALL OTHER WARRANTIES EXPRESS OR IMPLIED, ORAL OR WRITTEN, INCLUDING, BUT NOT LIMITED TO, THE WARRANTIES OF MERCHANTABILITY AND FITNESS FOR A PARTICULAR PURPOSE ARE HEREBY DISCLAIMED.

The liability of the Company, at its sole option, under this warranty is expressly limited to the replacement or repair of the defective part thereof. IN NO EVENT SHALL THE COMPANY BE LIABLE OR RESPONSIBLE FOR SPECIAL, INCIDENTAL, OR CONSEQUENTIAL DAMAGES OF ANY KIND OR CHARACTER, NOR SHALL ITS LIABILITY EVER EXCEED THE PURCHASE PRICE PAID TO JOSLYN FOR SUCH DEFECTIVE PRODUCT.

This warranty is not transferable and may only be enforced by the original purchaser. Claims under this warranty must be submitted to Joslyn within thirty (30) days of discovery of any suspected product defect.

Warranty Period

ComTrack

10 Years from original date of purchase

SAVE THESE INSTRUCTIONS

NOTE: If devices are received damaged, notify the shipping company immediately. Retain all containers and packing materials for inspection.



5900 Eastport Boulevard, VA 23231-4453 USA
TEL: 804.236.3300 800.647.1911
www.tpsjoslyn.com

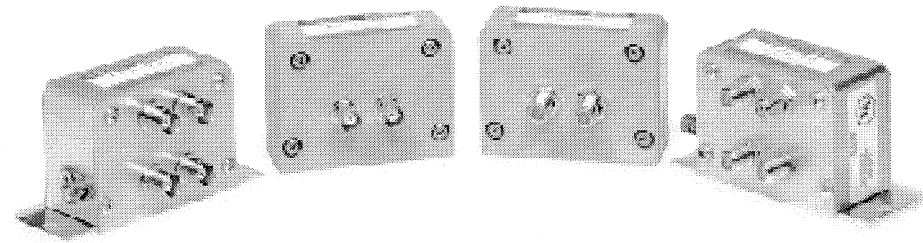
(PR) II146-08/27/04

**Total Protection
Solutions** 

ComTrack™

CLP SERIES

COAXIAL LINE PROTECTORS



ALL MODELS CASE STYLES "A" AND "D"

USER MANUAL

INSTALLATION INSTRUCTIONS AND WARRANTY INFORMATION

CAUTION - IMPORTANT SAFETY INSTRUCTIONS

1. Never install during a lightning storm.
2. This product is for **INDOOR USE ONLY**.
3. CLP Series suppressors are intended for use as Primary Protectors.
4. Read and understand all instructions prior to installation and operation.

INSTALLATION

The **CLP Series** of products is easy to install. The following instructions clearly explain each step:

NOTE: Make sure you follow the installation instructions exactly; if the suppressor is improperly installed, the current limiting feature could be rendered inoperable.

CLP COAXIAL Interface Models:

1. Connect the Load (protected) Side of the **CLP Series** product to your communications equipment.
2. Connect your incoming (unprotected) coaxial cable to the Line (unprotected) Side of the **CLP Series** product.
3. Connect a # 14 AWG ground wire from the unit's ground stud and secure it to the nearest available ground.

NOTE: If you have any questions as to how your equipment is grounded, consult the manufacturer's user manual(s).

GROUNDING

The unit's ground stud must be connected to the ground reference used by the system being protected. In some environments this grounding point may be the ground bar in the AC power panel. Ground leads longer than 12" are not recommended.

PERFORMANCE NOTE

The grounding wire must be as short as is possible. Minimize length to the centimeter/inch and use a minimum of No. 14 AWG wire.

INDEPENDENT GROUNDS

Surge protection devices must not be connected to ground points that are independent of AC ground.

MOUNTING INFORMATION

The CLP Series is offered in 2 Case Styles. Units housed in Case Style A are provided with universal mounting bracket(s) and a Din Rail clip. The bracket enables units to be mounted in several different planes as shown in the drawings. Models housed in Case Style D are mounted utilizing the attached base plate.

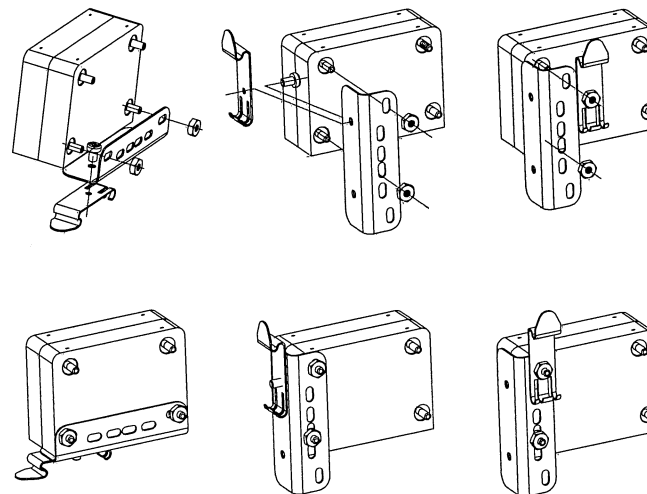
The Din Rail clip is not necessary when mounting units to hard surfaces, however should you want to mount the device to a din rail the clip mates to a standard DIN 35 Rail.

All necessary hardware for mounting purposes has been included with the unit(s).

Grounding is accomplished for case style A via any of the four corner securing screws on the unit. When the din rail clip is used it will pick up a ground connection becoming part of the unit's ground, provided that the din rail itself is grounded. A ground terminal is also provided and can accommodate up to a #10 AWG ground wire. The ground terminal can be secured to any one of the four corner screws in order to obtain a ground point for case style A.

NOTE: It is always best to test grounds to verify their existence before relying on them to protect sensitive equipment.

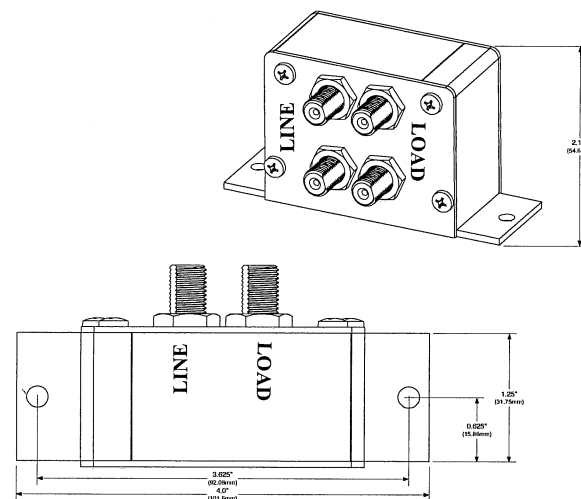
CASE A



CASE D

NOTE: For case style D, a ground wire must be connected from the case to an acceptable ground location. A lug on the unit indicates the point where the ground wire could be attached.

Verify all grounds prior to completing the installation.



WARNING

Should your equipment or building be subject to a direct lightning strike, this product will not provide complete protection.

NOTE: The protected device/equipment should also have AC protection because it is still vulnerable to transients on or from the power lines. Omitting AC protection poses a continued threat of failures at the communication interface.