

TABLE OF CONTENTS

Introduction	3
Before Installation	4-6
<i>System Configuration Verification</i>	4
<i>Wiring Connection Diagrams</i>	5
<i>Upstream Over-Current Protection Device</i>	6
<i>Raceway</i>	6
<i>Wire Length and Conductor Routing</i>	6
<i>Mounting</i>	6
Connection and Wiring Instructions	6-7
<i>Phase, Neutral and Ground Connections</i>	6
<i>Connecting Form C Dry Contacts</i>	7
<i>Verification and Power Up</i>	7
Troubleshooting	7
Technical Assistance	7
Returns and Warranty Procedures	7
Warranty Statement	8

2. Wiring Connection Diagrams

Figures 1-5 show the electrical relationship between TransTrack and these five basic service configurations: Single-phase, 2-wire, Split-phase, 3-wire; Three-phase, 4-wire WYE, Three-phase, 3-wire DELTA and Three-phase, 4-wire high-leg DELTA.

Fig. 1: 1-Phase, 2-Wire

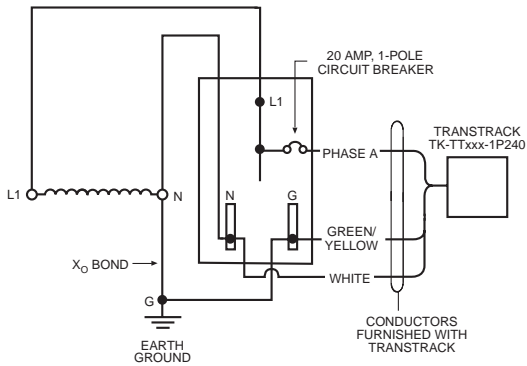


Fig. 2: Split Phase, 3-Wire

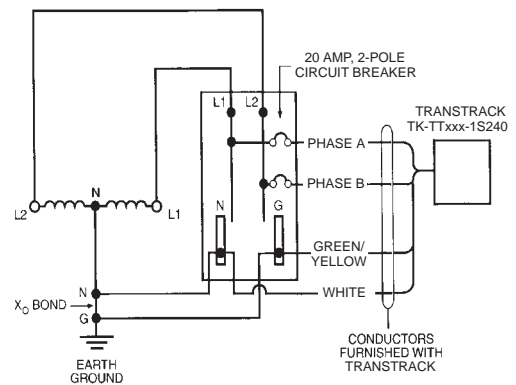


Fig. 3: 3-Phase, 4-Wire WYE

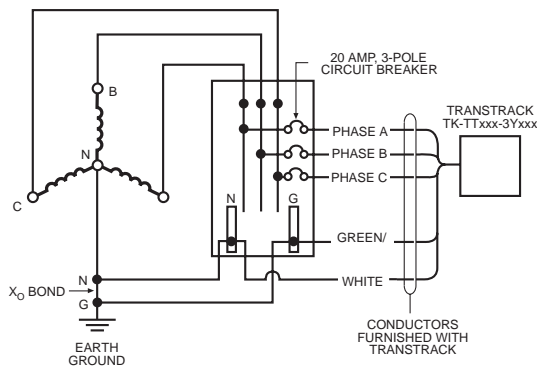


Fig. 4: 3-Phase, 3-Wire DELTA

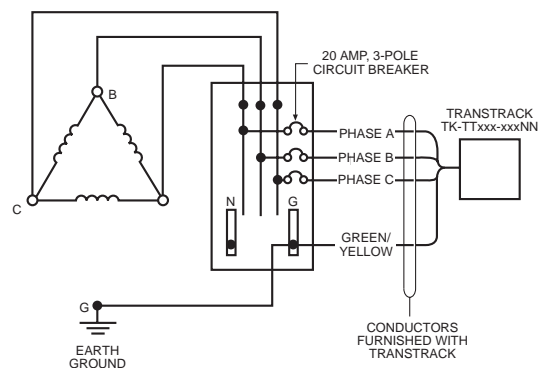
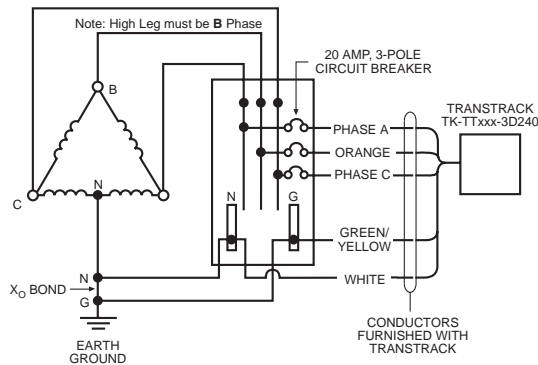


Fig. 4: 3-Phase, 4-Wire DELTA



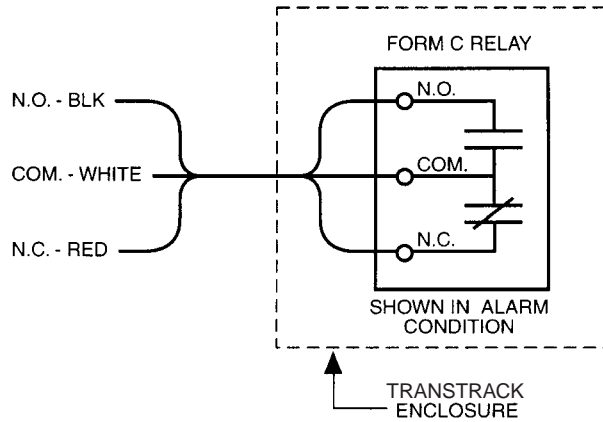
Connections to the SPD are clearly identified. Connections are made via pigtail leads supplied with the unit. For 3 phase units phases A, B and C are black wires, which are marked "PHASE A", "PHASE B" and "PHASE C" respectively. For split phase units, the phase connections are marked "PHASE A" and "PHASE B". For single phase units, the phase connection is marked "PHASE A". The neutral is a white wire and the ground is a green/yellow wire.

2. Connecting Form C Dry Contacts

TransTrack units come standard with Form “C” dry contacts. The relay contacts are rated 110V DC/125V AC with maximum switching power of 30W DC/62.5VA AC. Use butt splices within the panelboard to connect the Form “C” leads to the user’s monitoring circuits. Alternatively, install a junction box between the TransTrack and the panelboard to connect Form “C” leads to user’s monitoring circuits. If the Form “C” contacts are not used, user has the option of either cutting off the leads or coiling up the leads and saving them for potential future use. Consult applicable local codes to ensure proper installation.

FIG. 7

Detail of Form “C” contacts



3. Verification and Power Up

Apply power to TransTrack by closing the circuit breaker or molded-case switch feeding the suppressor. Verify that all “Phase Protection Status” indicating lights are illuminated.

TROUBLESHOOTING

Call Joslyn Technical Support if you experience either of these conditions:

- Circuit breaker trips and cannot be reset
- One or more lights on TransTrack are not illuminated

** No user-serviceable parts inside.*

TECHNICAL ASSISTANCE

Our staff is ready to support you and answer any questions.

Monday through Friday, 8:00 a.m. to 5:00 p.m. (EST) 800-647-1911.

RETURNS AND WARRANTY PROCEDURES

TransTrack products are warranted for a period of 25 years from date of purchase. In the event that any module or subassembly within the suppressor fails to perform as specified during the warranty period, call our Technical Support at 800-647-1911 to obtain a Return Material Authorization number. We will immediately ship a replacement for the defective parts free of charge (installation labor and site preparations excluded). Return the defective parts to Joslyn within 30 days of receiving the replacement. Failure to return the defective parts will result in billing for the replacement parts. To help expedite the return procedures, please have the following information at hand when you contact Joslyn:

INFORMATION	EXAMPLE
Model Number	TK-TT200-3Y208-F
Serial Number	23115-4103-001
Date of Purchase	October 17, 2003 (41st week)
Sales Order Number	23115
Description of Failure	Phase A light is off
Desired Action from Joslyn	Replace

